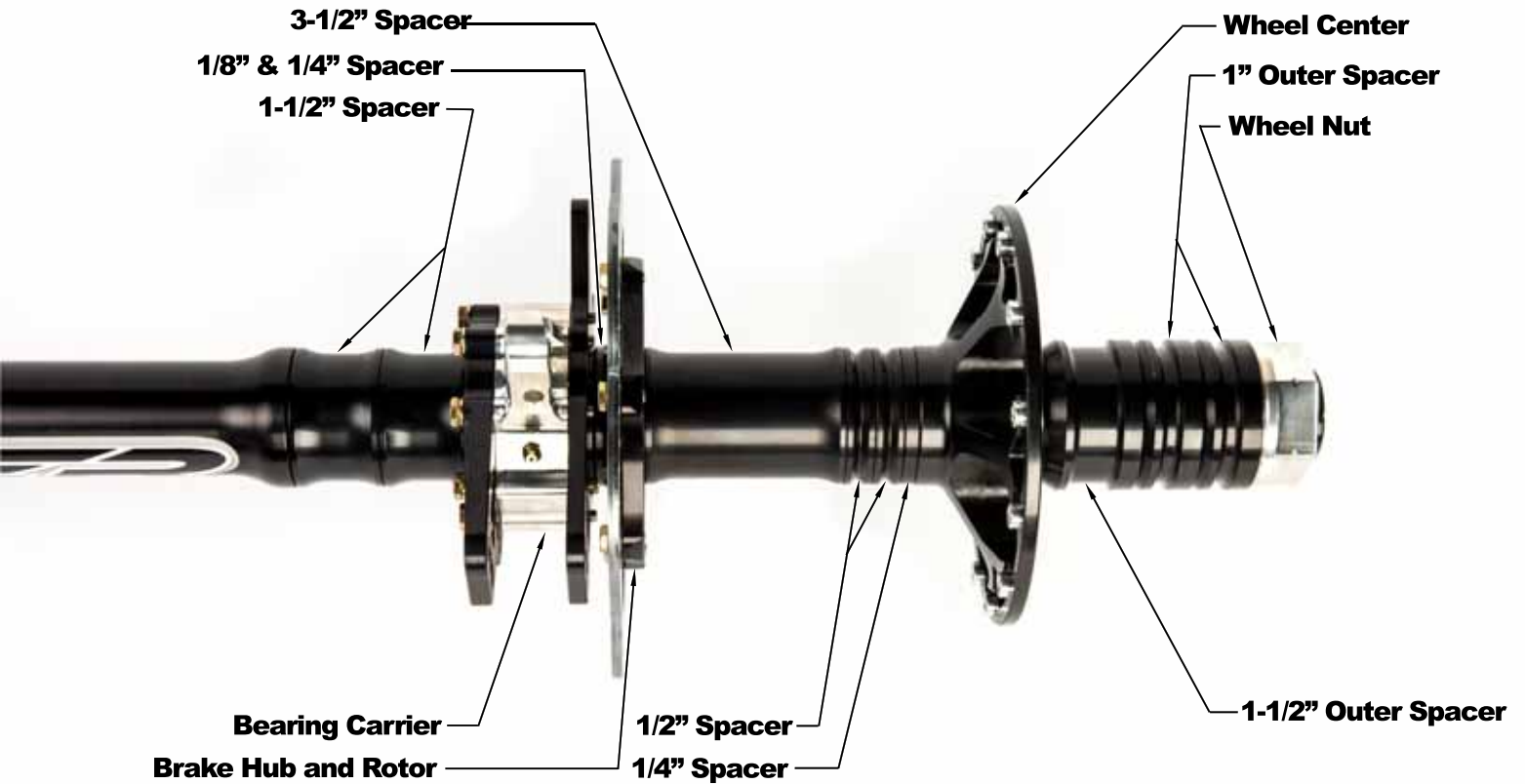


X7 2" Rear Axle Assembly Right Side

(Using a Jacob's Ladder with no Brake Floater)



Splined Bearing Reducers
Hub Faces the Left Side of the Axle

